

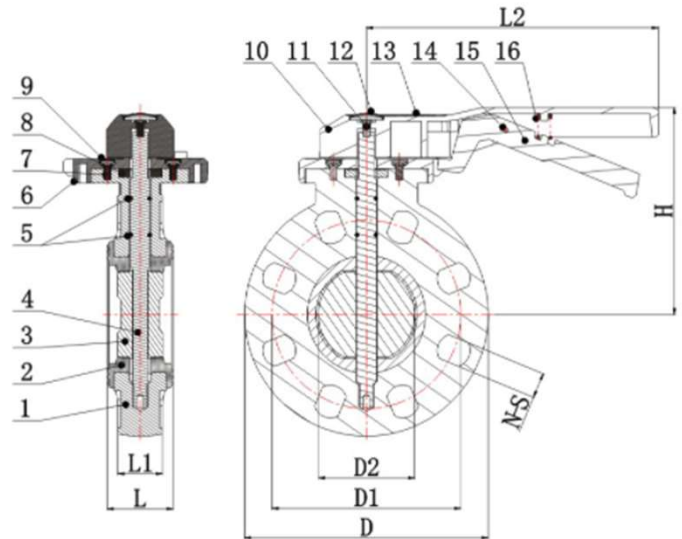
Product No.: **V18**

Product STD: **ASTM GB**

Body CLR:  

Handle CLR:  

Description: **BUTTERFLY VALVE (LEVER HANDLE)**



NO.	PART	MATERIAL	QTY
1	Body	PVC	1
2	Seat Seal	EPDM	1
3	Gate	PVC	1
4	Stem	SUS304	1
5	O-Ring	EPDM	2
6	Locking Plate	PVC	1
7	Bolt	SUS304	4
8	Washer	PP	1

NO.	PART	MATERIAL	QTY
9	Bolt Cap	ABS	4
10	Large Handle	ABS	1
11	Bolt	SUS304	1
12	Handle Cap	ABS	1
13	Nameplate	ABS	1
14	Pin	ABS	1
15	Small Handle	SUS304	1
16	Spring	SUS304	1

size(mm)	D	GB D1	ANSI D1	JIS D1	DIN D1	D2 (mm)	H (mm)	L2 (mm)	L1 (mm)	L (mm)	GB N-S	DIN N-S	JIS N-S	ANSI N-S
50(2")	160	125	120.4	100	120	49	150	208.5	32	37	37	4-18	4-19	4-19
65(2-1/2")	185	145	139.5	140	141.2	64	161	208.5	35	40	40	4-18	4-19	4-19
80(3")	200	160	139.5	140	156.4	79	170.3	239.5	36.5	54	54	8-20	4-19	4-19
100(4")	230	180	152.4	150	183	99	193	239.5	41	58	58	8-20	8-19	8-19
125(5")	250	210	190.5	175	210.9	123	216	292	48	66	8-18	4-21.5	8-19	8-19
150(6")	290	240	241.5	240	238.5	148	236	292	55	76	12-18	8-24	8-23	8-22
200(8")	350	295	298.5	295	292.4	198	302.5	362	60	83	12-22	8-24	8-23	8-23